


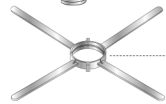




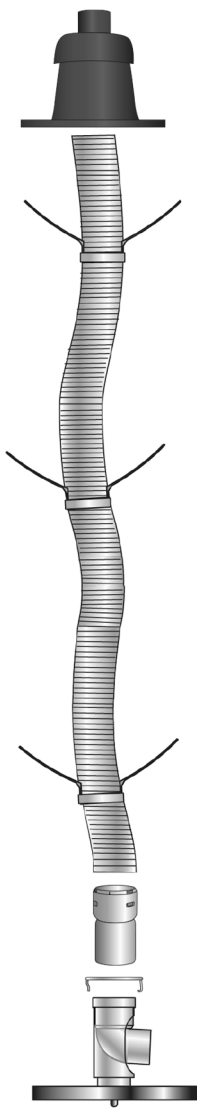



FLEXIBLE

Contents of the kit

-  Chimney cover with cap
-  Flex end pipe with locking ring
-  Flexible vent length (25' or 35')
-  Spacer
-  Coupler
-  Connector
-  Base support
-  Centrocin

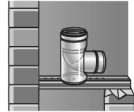


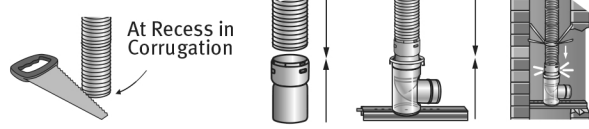
Press fit washer to secure base



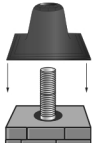
Installation

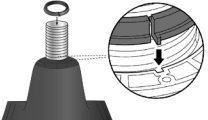
- 1** Mount metal section Base Support in base of chimney.



- 2** Measure chimney height. Cut the Flex Pipe in a corrugation based on required length. Attach spacers to liner every 2 meters. Pull Flex Vent Length through the chimney snapping male to female connector onto the 2" Flex Liner. Slide the Connector over the male end of the Coupler. Slide the male end of the Coupler into the Base Support. Snap the Connector into place.

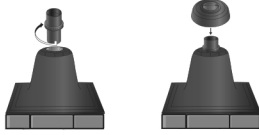


At Recess in Corrugation
- 3** Fit Chimney Cover over Flex Pipe and attach to chimney with masonry screws provided.


- 4** Snap on Flex End Pipe Locking Ring to Flex Pipe.


- 5** Cut Flex Pipe at top of Flex End Pipe Locking Ring at recess in corrugations.


- 6** Insert Flex End Pipe into Chimney Cover, screwing in tight. Attach top of Chimney Cover.


- 7** Install Vent Length (sold separately) with Connector into Base Support.
- 8** Fix the Wall Plate (sold separately).
- 9** Continue with rigid wall Vent Lengths and Elbows to appliance.

